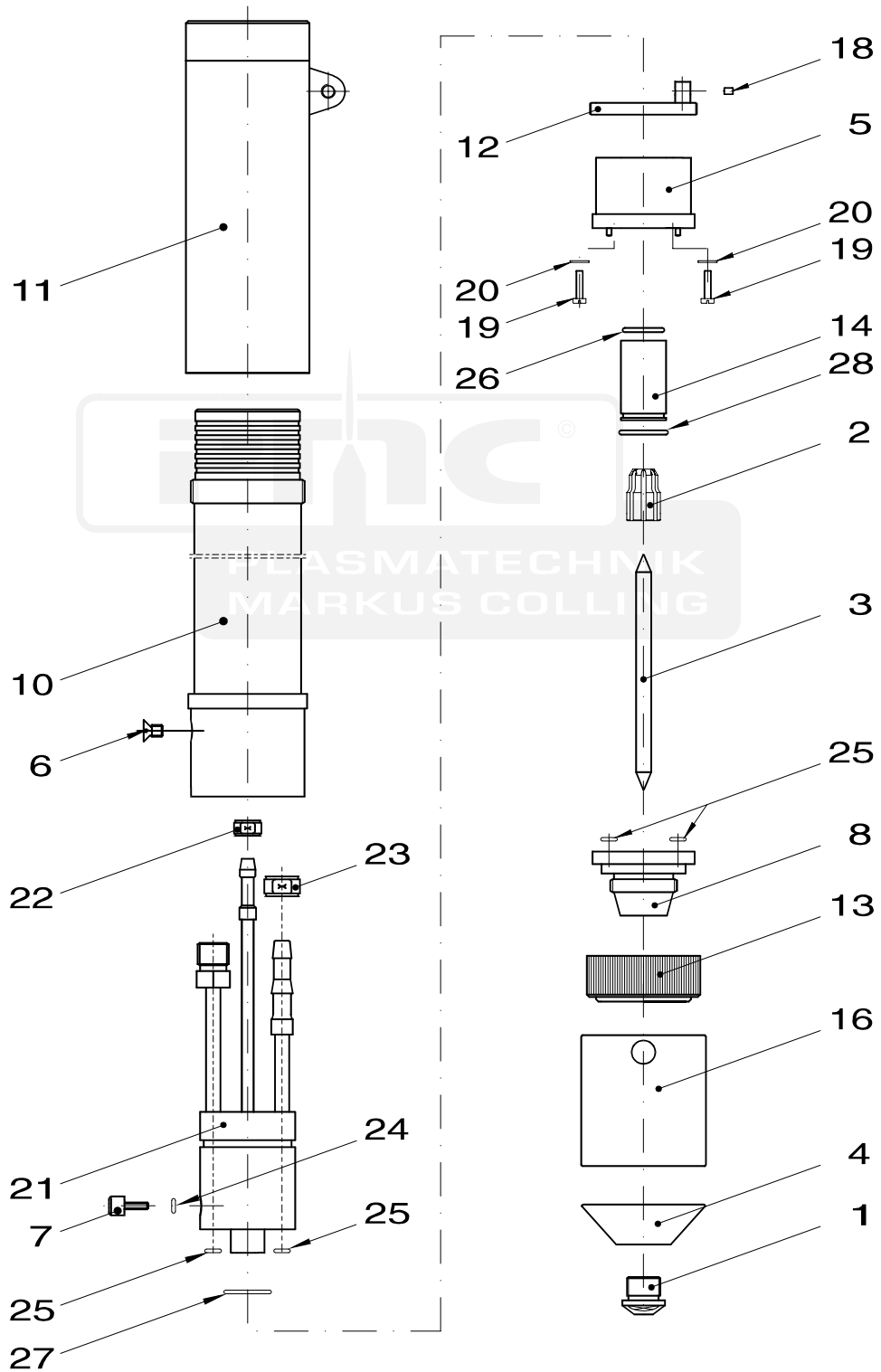


10. Spare parts

10.1 Spare parts of torch PMC 500-2/506



10. Spare parts

List of torch spare parts PMC 500-2/506

Item	Description	Article No.
	Torch body complete	P53.03284
	Torch body complete with long barrel	P53.03283
1	* Nozzle ø 2,0 mm	P53.00717
	* Nozzle ø 2,5 mm	P53.00826
	* Nozzle ø 3,0 mm	P53.00923
	* Nozzle ø 3,5 mm	P53.00828
	* Nozzle ø 4,0 mm	P53.00829
	* Nozzle ø 4,5 mm	P53.01409
2	* Centering piece	P14.45372
3	* Electrode	P53.03786
4	* Protection cap (Bakelite)	P14.45373
	Protection cap (Metal)	P54.01015
5	Insulator compl.	P53.03287
6	Screw	P72.11100
7	* Electrode fixing screw	P14.45258
8	Nozzle holder compl.	P53.03279
10	Inner tube	P14.45365
11	Outside tube compl.	P14.45364
12	Threat ring compl.	P14.45361
13	Union nut	P12.86504
14	Sleeve	P53.03280
16	* Insulator ring	P14.45374
18	Screw	P02.21603
19	Screw	P53.99795
20	Washer	P70.20112
21	Electrode holder compl.	P14.45359
22	Hose clamp	P53.99930
23	Hose clamp	P53.99934
24	* O-ring	P13.29275
25	* O-ring	P13.28021
26	O-ring	P13.28004
27	O-ring	P13.28022
28	O-ring	P13.28013
	Cable fixener	P15.42897
	* see note on page 34	